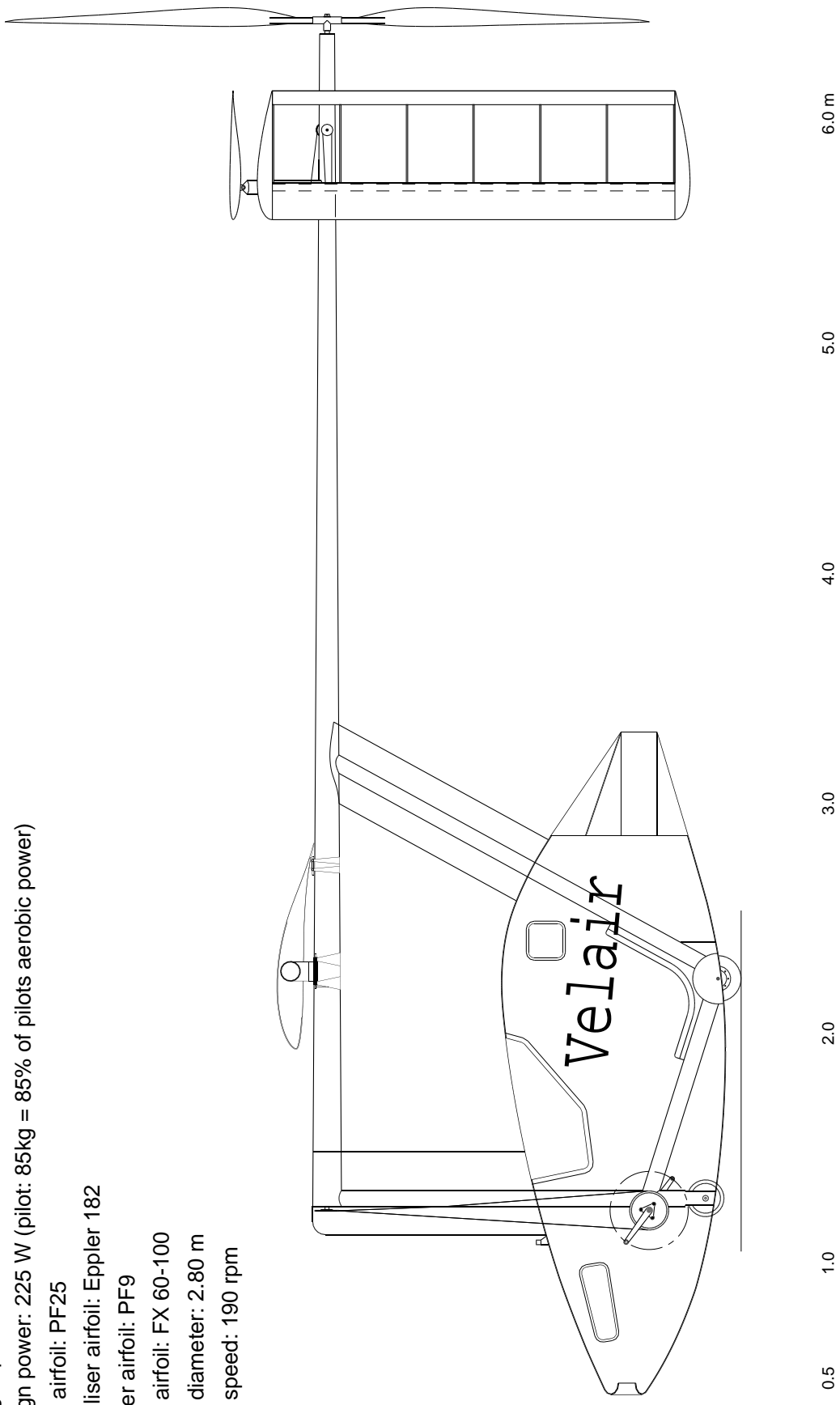


## VELAIR 89

Human Powered Aircraft  
Designed by Peer Frank

span: 23.2 m  
wing area: 16.9 m<sup>2</sup>  
aspect ratio: 32  
empty weight: 30.5 kg  
design speed: 8.6 m/s  
design power: 225 W (pilot: 85kg = 85% of pilots aerobic power)  
wing airfoil: PF25  
stabiliser airfoil: Eppler 182  
rudder airfoil: PF9  
prop airfoil: FX 60-100  
prop diameter: 2.80 m  
prop speed: 190 rpm



Scale: 1:25